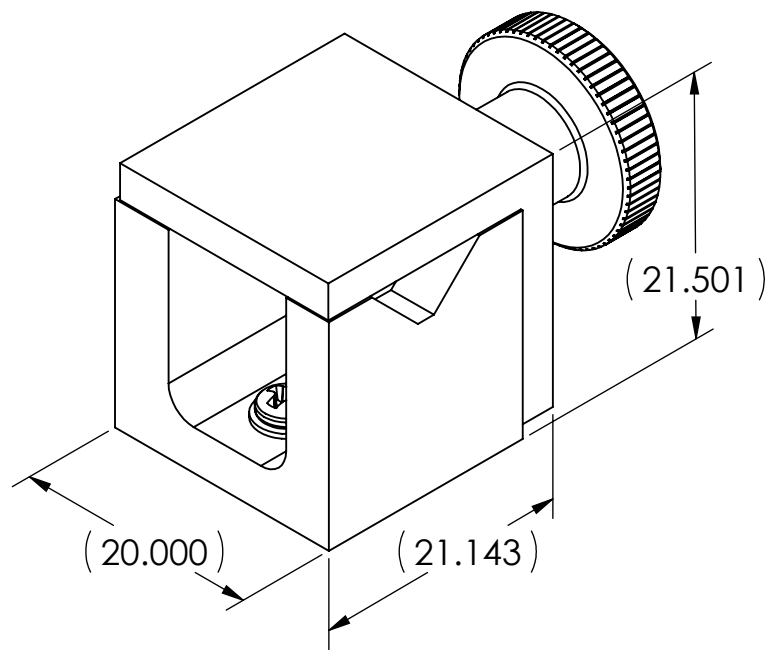
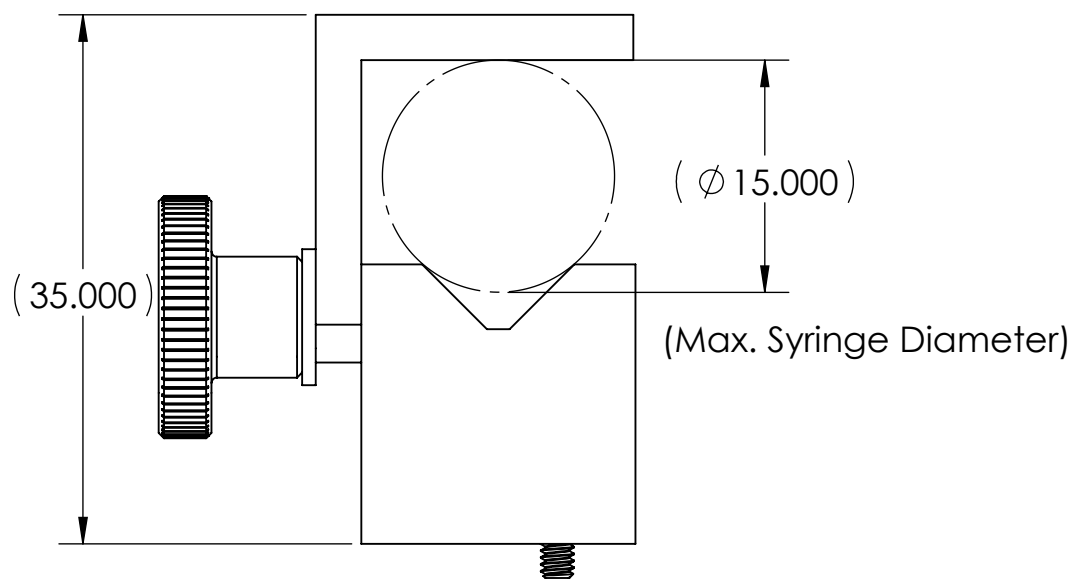


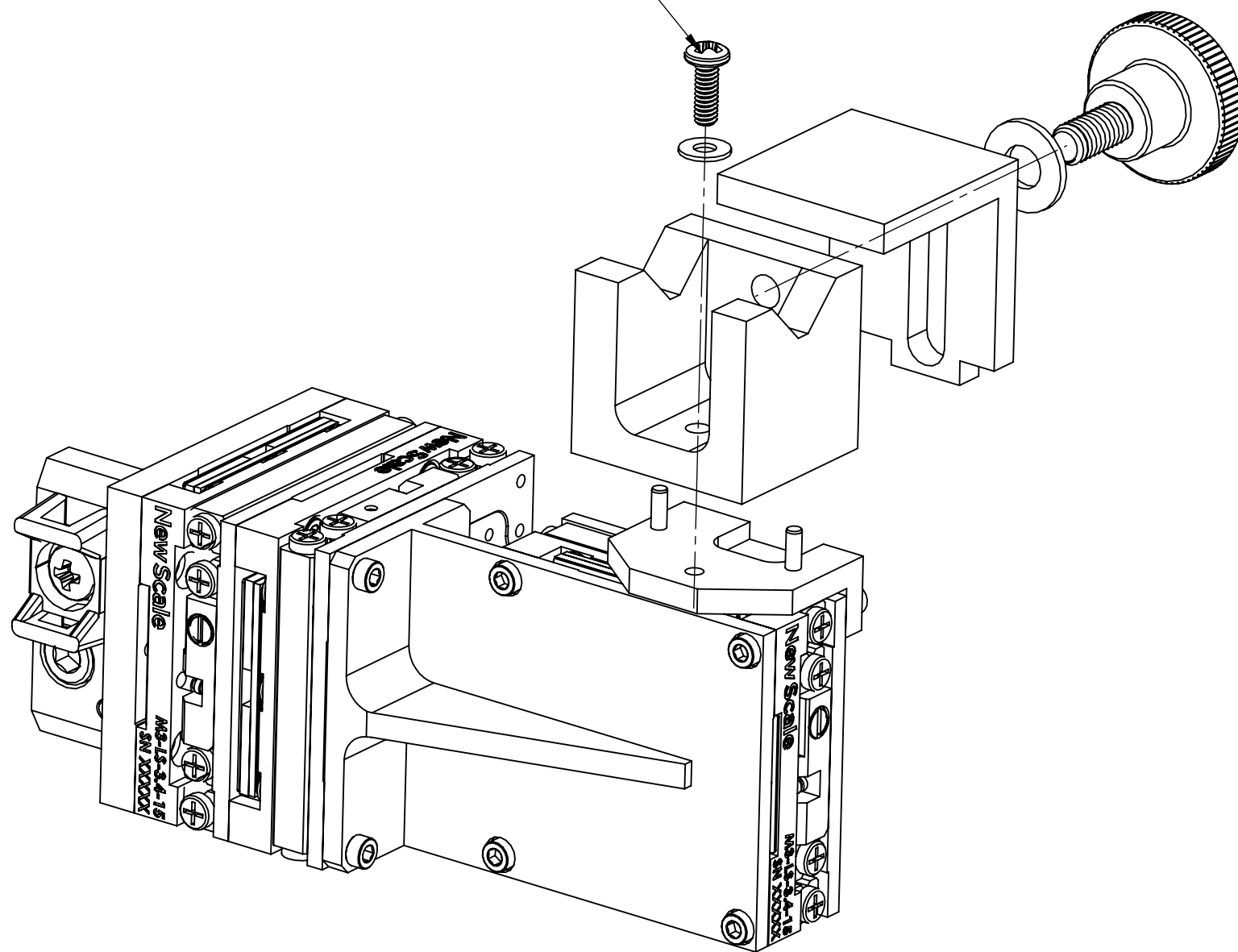
REVISIONS				
REV.	DESCRIPTION	DATE	APPR'D	Change #
A	Initial Design	9/15/2022	EU	539



Mass approximately 23 grams



2-56 x 1/4" Phillips Head



Shown with M3-LS-3.4-15-XYZ-MPM (Sold Separately)

<p>THIRD ANGLE PROJECTION</p>	<p>UNLESS OTHERWISE SPECIFIED, DIMENSIONS ARE IN MILLIMETERS TOLERANCES ARE:</p> <p>1 PLACE ± .3 2 PLACES ± .13 3 PLACES ± .060 ANGULAR ± 1° SURFACE FINISH 1.6 MICROMETERS</p>	<p><b>Drawn:</b> AS</p>		<p><b>New Scale Technologies</b></p>	
		<p><b>DATE:</b> 12/5/2018</p>			
<p>MATERIAL:</p>	<p>PART MUST BE BURR FREE</p>	<p><b>CHECKED:</b> MD</p>		<p><b>DESCRIPTION:</b> MPM-Probe Mount-8</p>	
		<p><b>ENG:</b> QX</p>		<p><b>SCALE:</b> 2:1</p>	
<p>FINISH:</p>	<p>DO NOT SCALE DRAWING</p>	<p><b>MFG:</b> JA</p>		<p><b>PART NO:</b> 06264-8-0008</p>	
		<p><b>DESIGNED:</b> MDiBella</p>		<p><b>REV:</b> A</p>	
<p>Compliant to RoHS Directive 2002/95/EC</p>		<p>THESE DRAWINGS AND SPECIFICATIONS ARE THE EXCLUSIVE PROPERTY OF NEW SCALE TECHNOLOGIES, INC. AND SHALL NOT BE USED FOR ANY PURPOSE EXCEPT THE MANUFACTURE OF GOODS FOR SAID COMPANY.</p>		<p>SHEET 1 OF 1</p>	